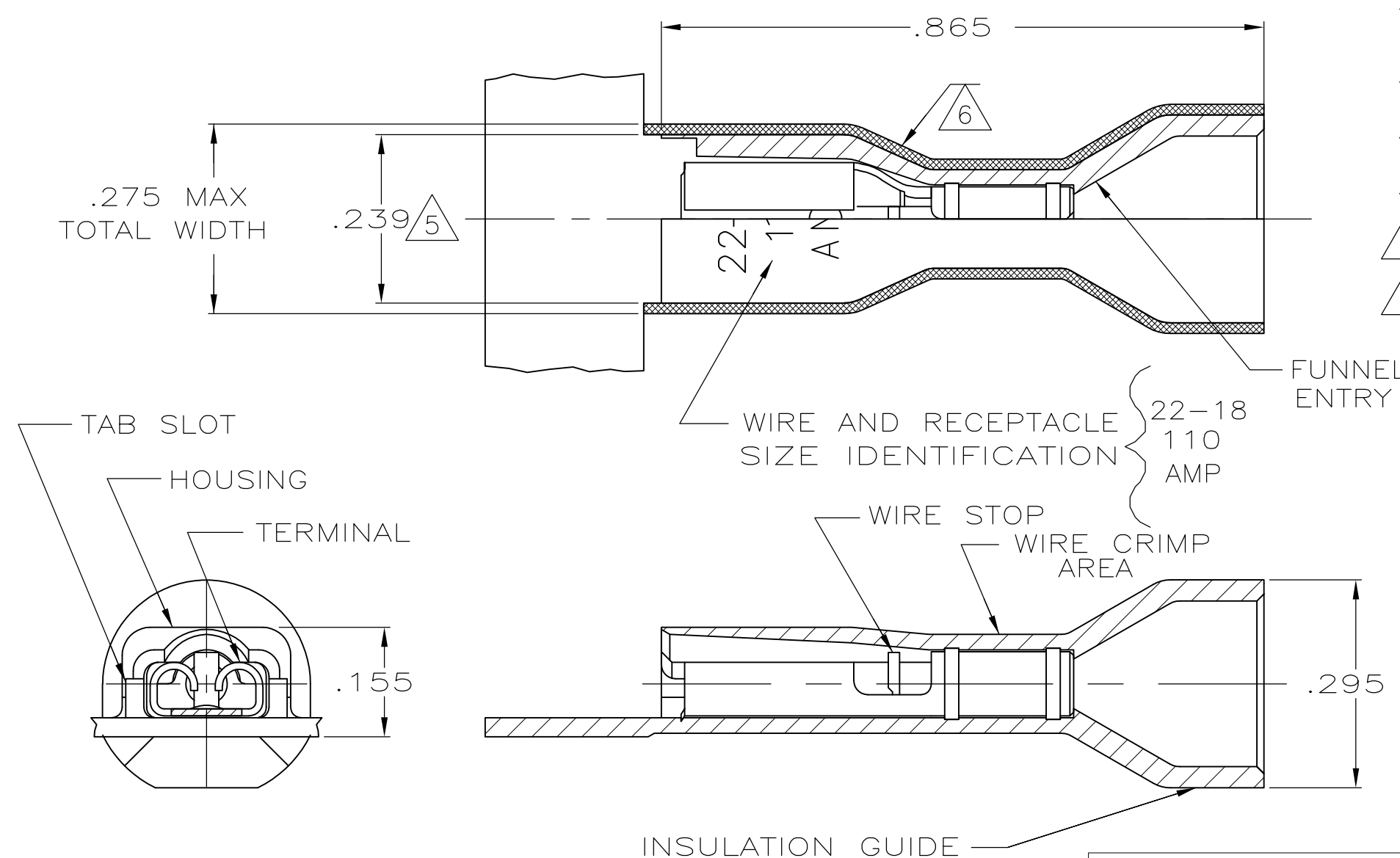



THIS DRAWING IS UNPUBLISHED. RELEASED FOR PUBLICATION
 © COPYRIGHT - By - ALL RIGHTS RESERVED.

LOC	DIST	REVISIONS					
AF	50	P	LTR	DESCRIPTION	DATE	DWN	APVD
		L		REVISED PER ECR-13-004343	30JUL13	KH	KR



- 1 MATES WITH .020±.001 X .110 OR .125 TABS
- 2 WIRE STRIP LENGTH .281
- 3 INSULATION SIZE .230 MAX DIA
- 4 CONTINUOUS STRIP ON REELS
- 5 DIMENSION DOES NOT INCLUDE TRIM BURR
- 6 .015 MAX CARRIER TRIM BURR PER SIDE IS ALLOWABLE IN THE SHADED AREA

HOUSING: NYLON, COLOR-RED TRANSLUCENT RECEPTACLE: BRASS TIN	2-520306-2
MATERIAL & FINISH	PART NUMBER

THIS DRAWING IS A CONTROLLED DOCUMENT.		DWN P FORTNEY 11/9/88	 TE Connectivity RECEPTACLE ASSY, ULTRA-FAST, .110/.125 SERIES, 22-18 AWG	
DIMENSIONS: INCHES		CHK MS FEHER 11/9/88		
TOLERANCES UNLESS OTHERWISE SPECIFIED:		APVD K RANDOLPH 11/11/88		
0 PLC ± - 1 PLC ± - 2 PLC ± - 3 PLC ± .015 4 PLC ± - ANGLES ± -		NAME		
MATERIAL SEE TABLE		FINISH SEE TABLE	PRODUCT SPEC 108-2043	RESTRICTED TO
			APPLICATION SPEC 114-2123	SCALE 5:1
			WEIGHT -	SHEET 1 OF 1
			CUSTOMER DRAWING	REV L
			SIZE A3 CAGE CODE 00779 DRAWING NO C-520306	